

z:\projects\arm.r\lita\cc-23-0563 - fbc 2023 code change (8th edition)\dgs\lita001 custom max aluminum and glass overhead sectional door (2).dwg 6/23/2023 9:15 AM

ARMRLITE

DOOR MANUFACTURING CO., INC.

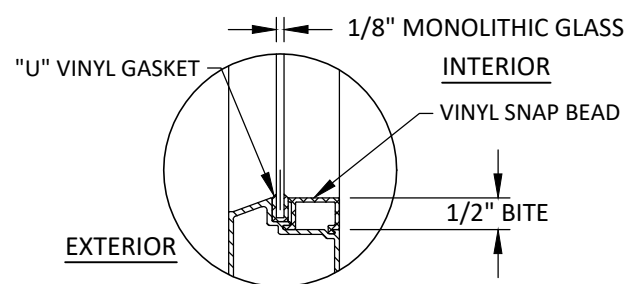
CUSTOM MAX ALUMINUM AND GLASS OVERHEAD SECTIONAL DOOR (NON-HVHZ) (NON-IMPACT)

GENERAL NOTES:

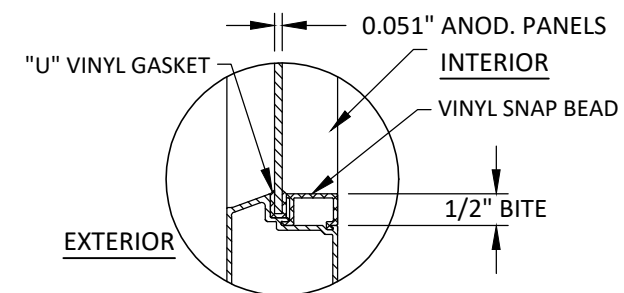
1. THE PRODUCT SHOWN HEREIN IS DESIGNED AND MANUFACTURED TO COMPLY WITH THE CURRENT FLORIDA BUILDING CODE (FBC), **EXCLUDING** HVHZ AND HAS BEEN EVALUATED ACCORDING TO THE FOLLOWING:
 - ASTM E330-14
2. ADEQUACY OF THE EXISTING STRUCTURAL CONCRETE/MASONRY AND FRAMING AS A MAIN WIND FORCE RESISTING SYSTEM CAPABLE OF WITHSTANDING AND TRANSFERRING APPLIED PRODUCT LOADS TO THE FOUNDATION IS THE RESPONSIBILITY OF THE ENGINEER OR ARCHITECT OF RECORD FOR THE PROJECT OF INSTALLATION.
3. 1X AND 2X BUCKS (WHEN USED) SHALL BE DESIGNED AND ANCHORED TO PROPERLY TRANSFER ALL LOADS TO THE STRUCTURE. BUCK DESIGN AND INSTALLATION IS THE RESPONSIBILITY OF THE ENGINEER OR ARCHITECT OF RECORD FOR THE PROJECT OF INSTALLATION.
4. THE INSTALLATION DETAILS DESCRIBED HEREIN ARE GENERIC AND MAY NOT REFLECT ACTUAL CONDITIONS FOR A SPECIFIC SITE. IF SITE CONDITIONS CAUSE INSTALLATION TO DEVIATE FROM THE REQUIREMENTS DETAILED HEREIN, A LICENSED ENGINEER OR ARCHITECT SHALL PREPARE SITE SPECIFIC DOCUMENTS FOR USE WITH THIS DOCUMENT.
5. APPROVED IMPACT PROTECTIVE SYSTEM **IS REQUIRED** TO PROTECT THIS PRODUCT IN AREAS REQUIRING IMPACT RESISTANCE.
6. DOOR RAILS & STILES MATERIAL: ALUMINUM 6063-T5
7. DOOR PANEL MATERIAL: ALUMINUM 5005-H14
8. DOOR CONSTRUCTIONS: ALL ALUMINUM MEMBERS HELI-ARC WELDED IN CONCEALED LOCATIONS
9. GLASS SHALL MEET THE REQUIREMENTS OF ASTM E 1300 GLASS CHARTS. SEE SHEET 1 FOR GLAZING DETAIL.

TABLE OF CONTENTS	
SHEET	SHEET DESCRIPTION
1	GENERAL NOTES & GLAZING DETAIL
2	ELEVATION AND OPENING DETAILS
3	ANCHOR LAYOUT AND TRACK DETAILS
4	VERTICAL SECTIONS
5	HORIZONTAL SECTIONS
6	INSTALLATION NOTES AND ANCHOR DETAIL

DESIGN PRESSURE RATING	
DESIGN PRESSURE	MISSILE IMPACT RATING
+23.3 / -23.3 PSF	NON-IMPACT RATED



GLAZING DETAIL 1



GLAZING DETAIL 2

GLAZING NOTES:

1. GLASS TYPE SHALL COMPLY WITH ASTM E1300 REQUIREMENTS AS WELL AS APPLICABLE SAFETY GLAZING REQUIREMENTS PER THE FBC. THICKNESS, TEMPER, AND SAFETY GLAZING REQUIREMENTS SHALL BE REVIEWED ON A SITE SPECIFIC BASIS.

ArmRLite
OVERHEAD DOORS

ARMRLITE
40 COLONIAL DR.
PISCATAWAY, NJ 08854
PH: (908) 754-2600 FAX: (908) 754-6522

TITLE: CUSTOM MAX ALUMINUM AND GLASS OVERHEAD SECTIONAL DOOR (NON-HVHZ) (NON-IMPACT) GENERAL NOTES AND GLAZING DETAIL

PREPARED BY: BUILDING DROPS, INC.
398 E. DANIA BEACH BLVD., STE. 338
DANIA BEACH, FL 33004
PH: (954)399-8478
FAX: (954)744-4738
WEB: www.buildingdrops.com

REMARKS	BY	DATE
2023 CODE CHANGE	MG	06/23

THE INSTALLATION DETAILS DESCRIBED HEREIN ARE GENERIC AND MAY NOT REFLECT ACTUAL CONDITIONS FOR A SPECIFIC SITE. IF SITE CONDITIONS CAUSE INSTALLATION TO DEVIATE FROM THE REQUIREMENTS DETAILED HEREIN, A LICENSED ENGINEER OR ARCHITECT SHALL PREPARE SITE SPECIFIC DOCUMENTS FOR USE WITH THIS DOCUMENT.

HERMES F. NORERO
LICENSE
No. 73778
STATE OF
FLORIDA
PROFESSIONAL ENGINEER

HERMES F. NORERO, P.E.
BUILDING DROPS, INC.
398 E. DANIA BEACH BLVD. # 338
DANIA BEACH, FL 33004
FBPE CERT. OF AUTHORIZATION No. 29578

FL #: **FL32416**

DATE: **05.29.20**

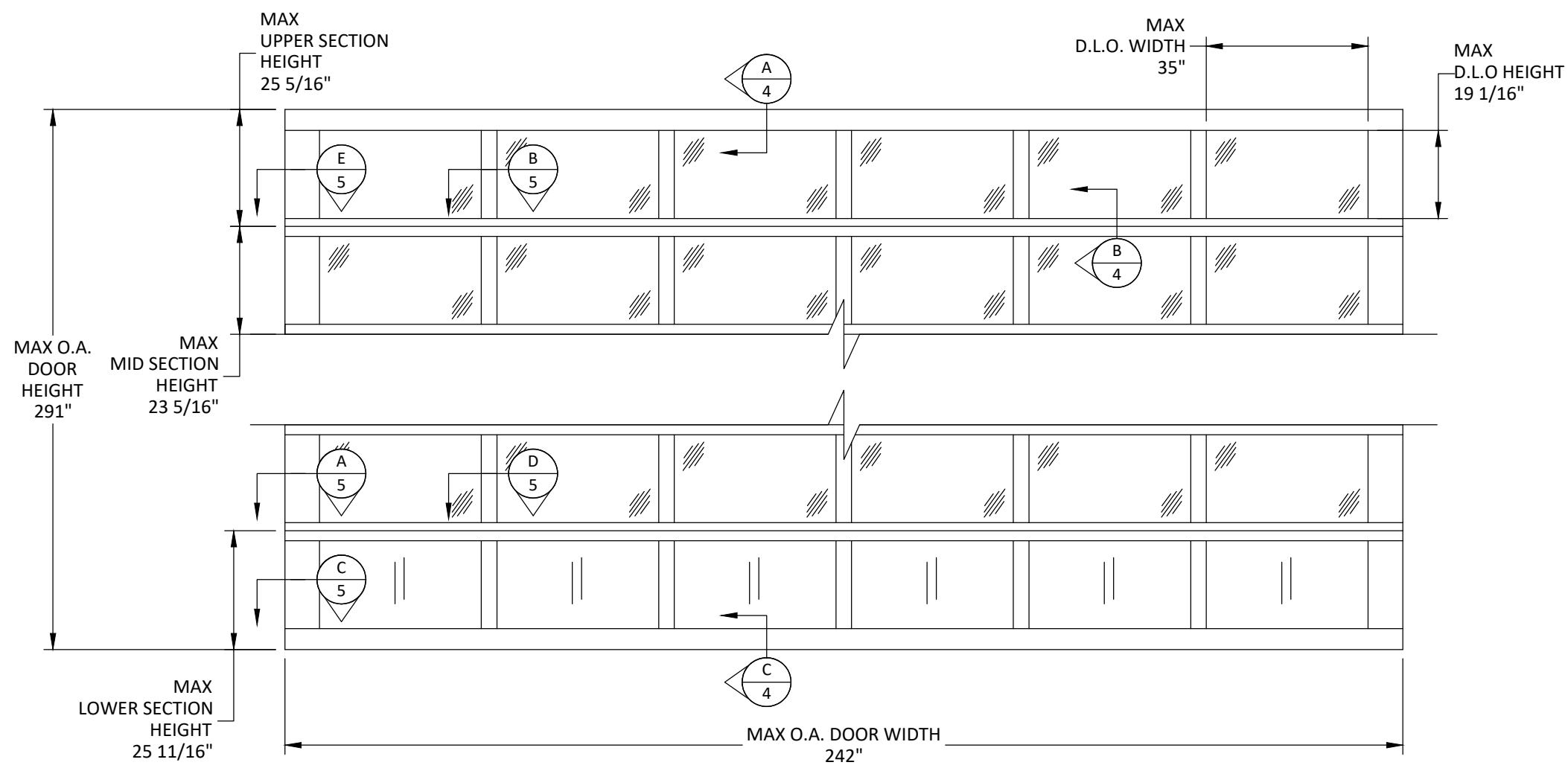
DWG. BY: LL	CHK. BY: HFN
--------------------	---------------------

SCALE: **NTS**

DWG. #: **ARL001**

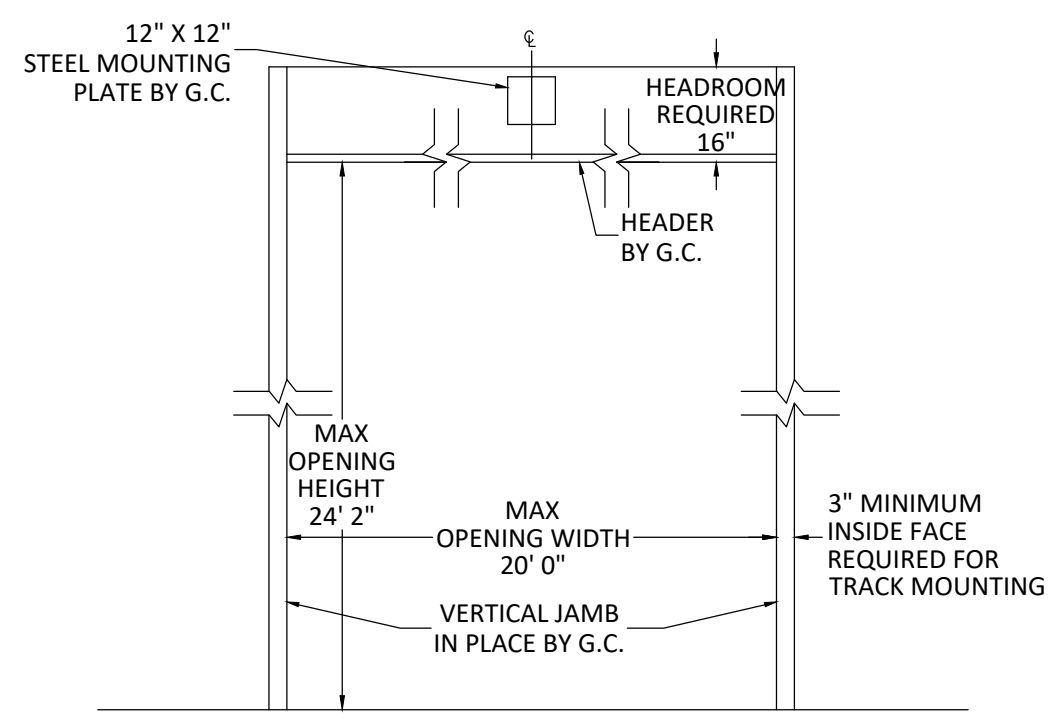
SHEET: **1** OF 6

6/23/2023 9:15 AM
z:\projects\arm.r.lite\cc-23-0563 - fbc 2023 code change (8th edition)\dgs\var001 custom max aluminum and glass overhead sectional door (2).dwg



EXTERIOR DOOR ELEVATION

NOTE: ELEVATION SHOW 0.051" 5005-H14 BOTTOM PANELS, GLAZED BOTTOM PANELS ARE A QUALIFIED OPTION



TYPICAL OPENING DETAILS



ArmRLite
OVERHEAD DOORS
ARMRLITE
40 COLONIAL DR.
PISCATAWAY, NJ 08854
PH: (908) 754-2600 FAX: (908) 754-6522

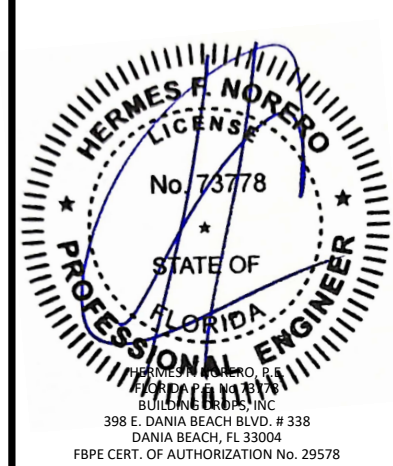
TITLE: CUSTOM MAX ALUMINUM AND GLASS OVERHEAD SECTIONAL DOOR (NON-HVHZ) (NON-IMPACT)
ELEVATION & OPENING DETAILS

PREPARED BY:
BUILDING DROPS, INC.
398 E. DANIA BEACH BLVD., STE. 338
DANIA BEACH, FL 33004
PH: (954)399-8478
FAX: (954)744-4738
WEB: www.buildingdrops.com



REMARKS	BY	DATE
2023 CODE CHANGE	MG	06/23

THE INSTALLATION DETAILS DESCRIBED HEREIN ARE GENERIC AND MAY NOT REFLECT ACTUAL CONDITIONS FOR A SPECIFIC SITE. IF SITE CONDITIONS CAUSE INSTALLATION TO DEVIATE FROM THE REQUIREMENTS DETAILED HEREIN, A LICENSED ENGINEER OR ARCHITECT SHALL PREPARE SITE SPECIFIC DOCUMENTS FOR USE WITH THIS DOCUMENT.



HERMES F. NORERO, R.
REGISTERED PROFESSIONAL ENGINEER
BUILDING DROPS, INC.
398 E. DANIA BEACH BLVD. # 338
DANIA BEACH, FL 33004
FBPE CERT. OF AUTHORIZATION No. 29578

FL #: **FL32416**

DATE: **05.29.20**

DWG. BY: **LL** CHK. BY: **HFN**

SCALE: **NTS**

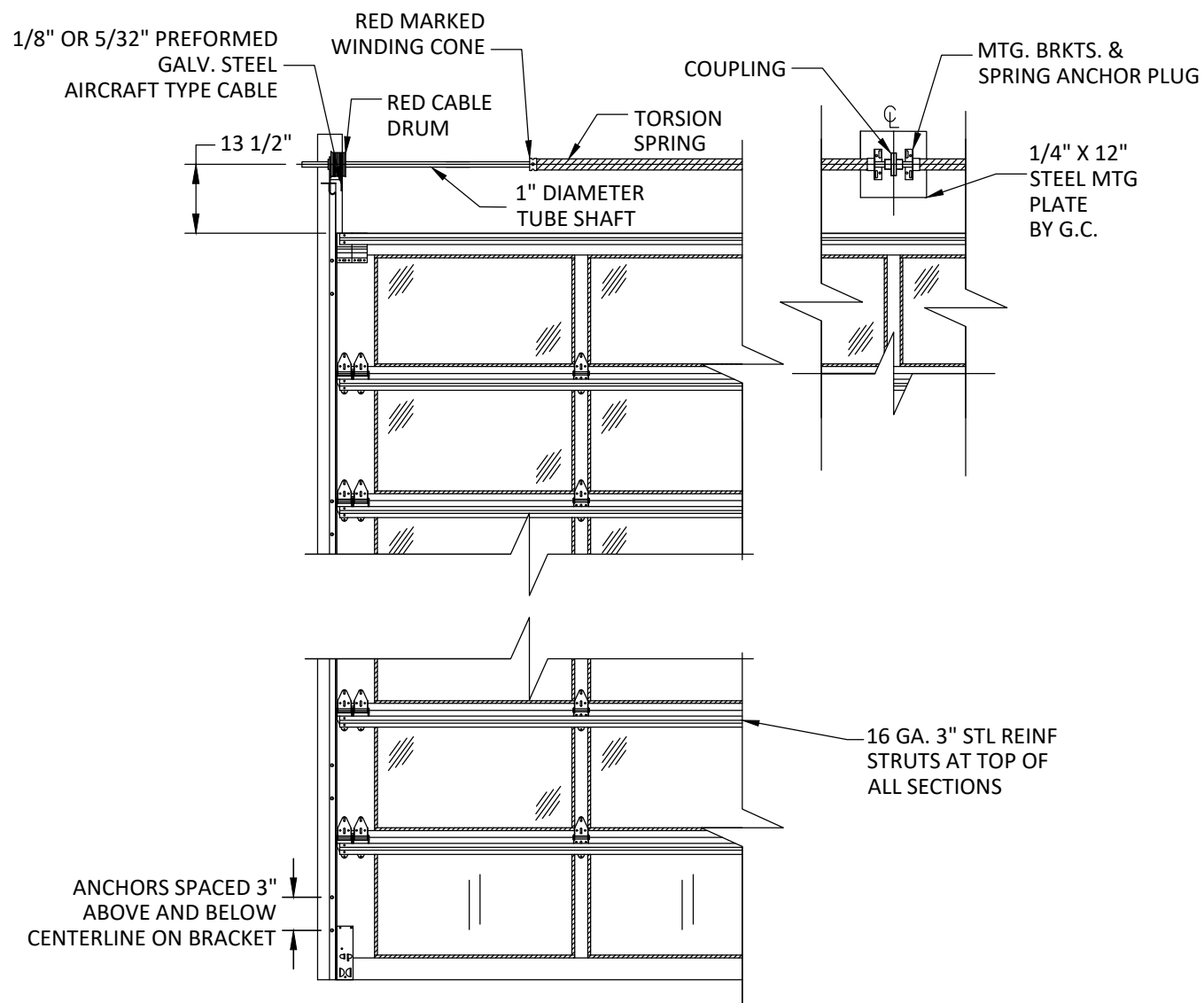
DWG. #: **ARL001**

SHEET:

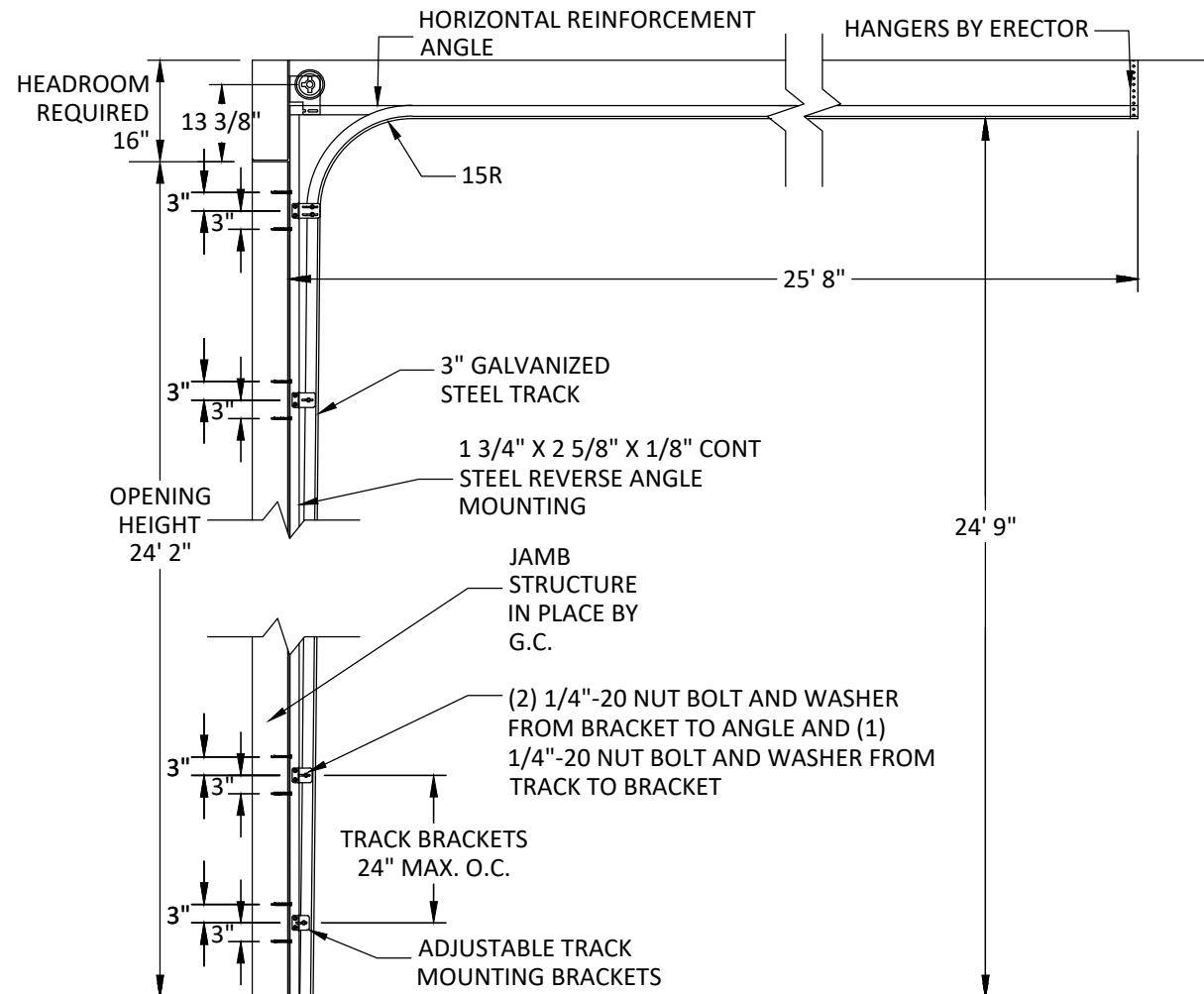
2

OF 6

6/23/2023 9:15 AM
z:\projects\arm.r.lite\cc-23-0563 - fbc 2023 code change (8th edition)\dgs\ar001 custom max aluminum and glass overhead sectional door (2).dwg



ANCHOR LAYOUT
HARDWARE DETAILS



ANCHOR LAYOUT
TRACK DETAILS

NOTE: DESIGN AND OPERATION OF OPERATOR MECHANISM AND BALANCE SYSTEM IS NOT PART OF THIS APPROVAL, MANUFACTURER SPECIFICATIONS SHOULD BE FOLLOWED. TYPICAL DETAILS SHOWN ABOVE. CARE SHOULD BE TAKEN WHEN DOOR IS IN MOTION ENSURING THAT PERSONAL INJURY OR DAMAGE TO THIS PRODUCT DOES NOT OCCUR.



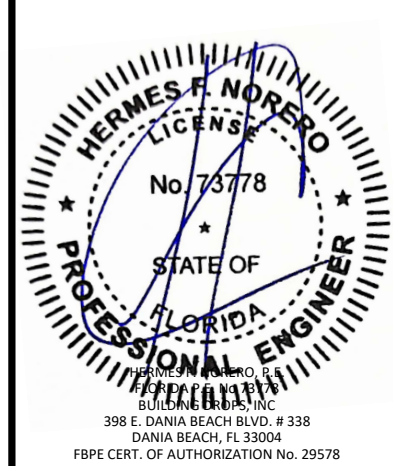
ARMRLITE
40 COLONIAL DR.
PISCATAWAY, NJ 08854
PH: (908) 754-2600 FAX: (908) 754-6522

TITLE: CUSTOM MAX ALUMINUM AND GLASS OVERHEAD SECTIONAL DOOR (NON-HVHZ) (NON-IMPACT) ANCHOR LAYOUT AND TRACK DETAILS

PREPARED BY: **BUILDING DROPS, INC.**
398 E. DANIA BEACH BLVD., STE. 338
DANIA BEACH, FL 33004
PH: (954)399-8478
FAX: (954)744-4738
WEB: www.buildingdrops.com

REMARKS	BY	DATE
2023 CODE CHANGE	MG	06/23

THE INSTALLATION DETAILS DESCRIBED HEREIN ARE GENERIC AND MAY NOT REFLECT ACTUAL CONDITIONS FOR A SPECIFIC SITE. IF SITE CONDITIONS CAUSE INSTALLATION TO DEVIATE FROM THE REQUIREMENTS DETAILED HEREIN, A LICENSED ENGINEER OR ARCHITECT SHALL PREPARE SITE SPECIFIC DOCUMENTS FOR USE WITH THIS DOCUMENT.



FL #: **FL32416**

DATE: **05.29.20**

DWG. BY: **LL** CHK. BY: **HFN**

SCALE: **NTS**

DWG. #: **ARL001**

SHEET:
3
OF 6

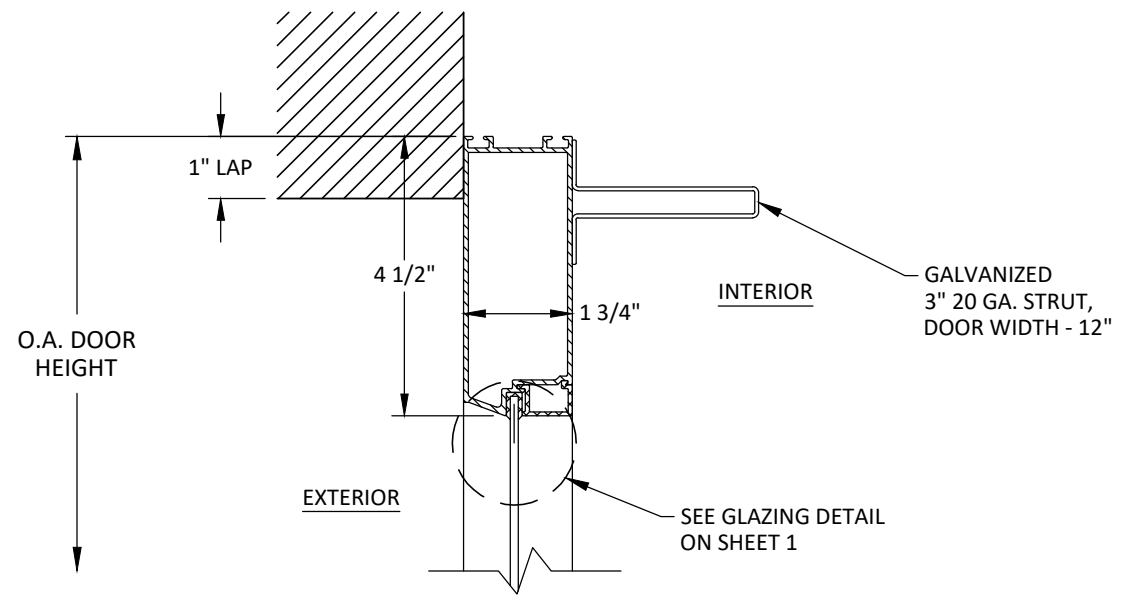
6/23/2023 9:15 AM
z:\projects\arm.r.lite\cc-23-0563 - fbc 2023 code change (8th edition)\dgs\var\001 custom max aluminum and glass overhead sectional door (2).dwg



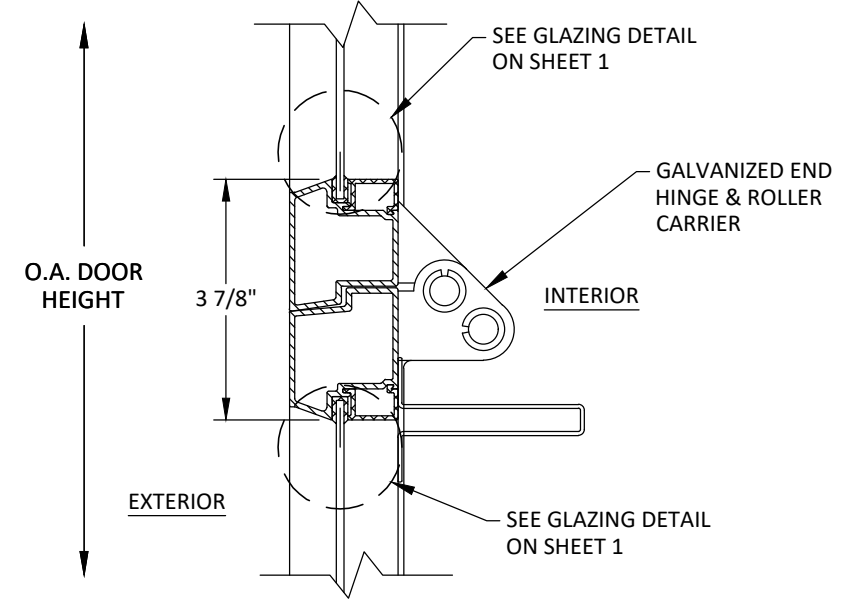
ARMRLITE
OVERHEAD DOORS
40 COLONIAL DR.
PISCATAWAY, NJ 08854
PH: (908) 754-2600 FAX: (908) 754-6522

TITLE: CUSTOM MAX ALUMINUM AND GLASS OVERHEAD SECTIONAL DOOR (NON-HVHZ) (NON-IMPACT)
VERTICAL SECTIONS

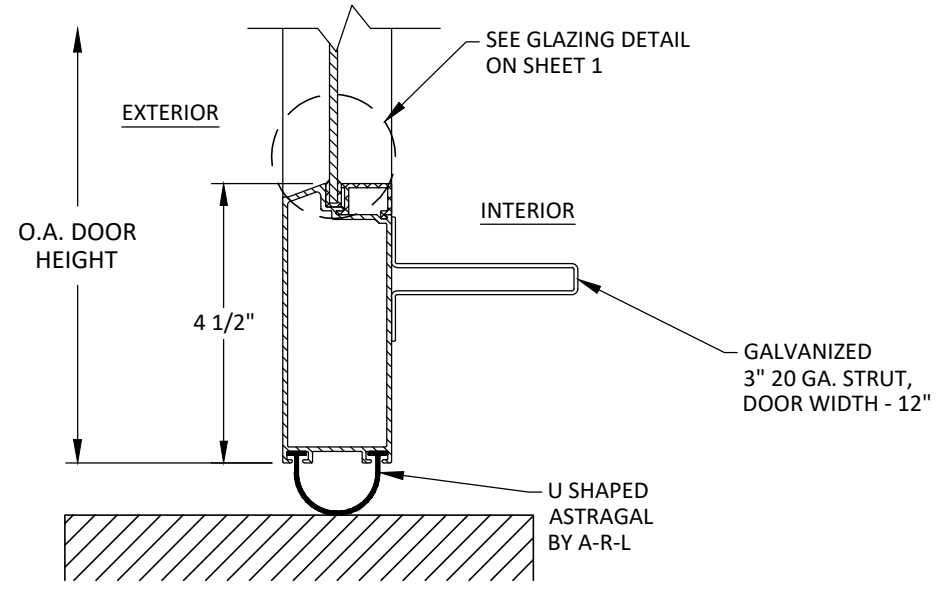
PREPARED BY: BUILDING DROPS, INC.
398 E. DANIA BEACH BLVD., STE. 338
DANIA BEACH, FL 33004
PH: (954) 399-8478
FAX: (954) 744-4738
WEB: www.buildingdrops.com



A
4
VERTICAL SECTION
UPPER SECTION DETAIL



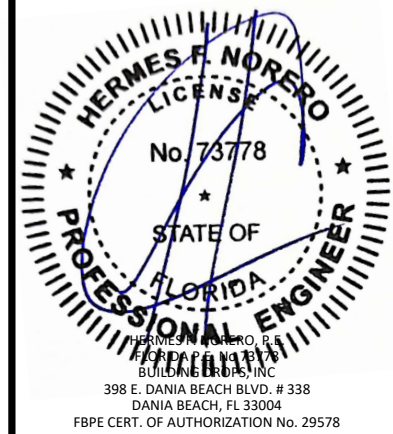
B
4
VERTICAL SECTION
MID SECTION DETAIL



C
4
VERTICAL SECTION
LOWER SECTION DETAIL

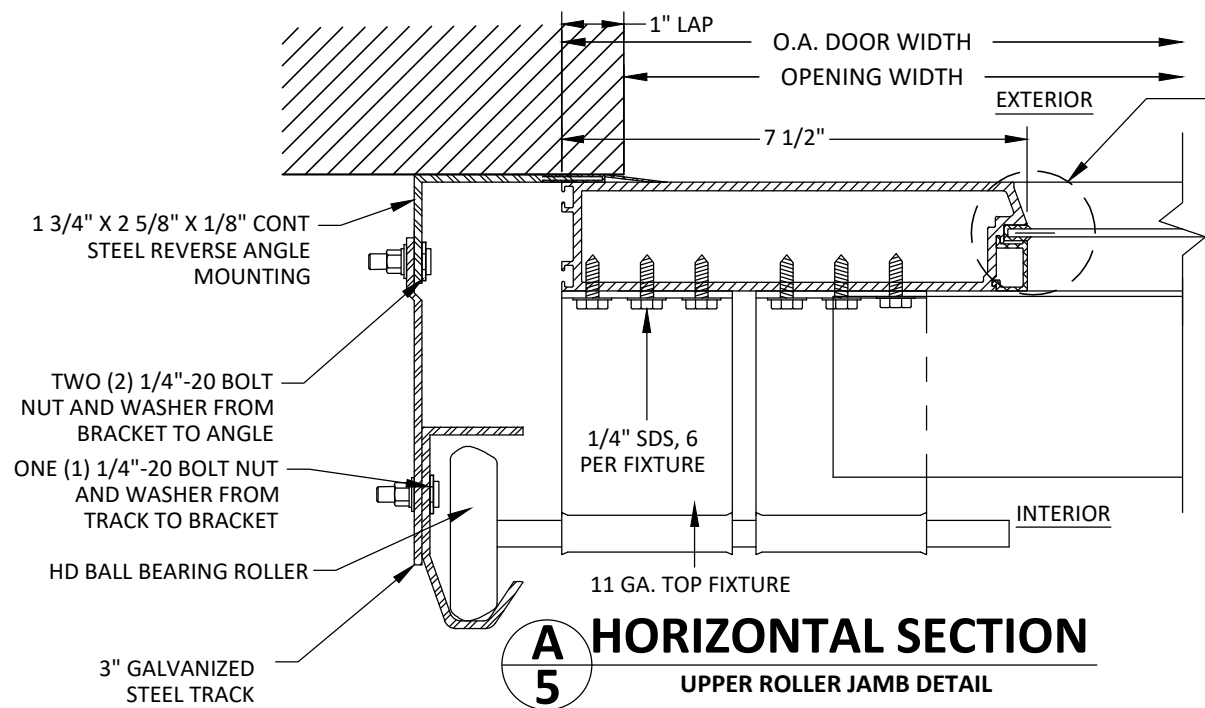
REMARKS	BY	DATE
2023 CODE CHANGE	MG	06/23

THE INSTALLATION DETAILS DESCRIBED HEREIN ARE GENERIC AND MAY NOT REFLECT ACTUAL CONDITIONS FOR A SPECIFIC SITE. IF SITE CONDITIONS CAUSE INSTALLATION TO DEVIATE FROM THE REQUIREMENTS DETAILED HEREIN, A LICENSED ENGINEER OR ARCHITECT SHALL PREPARE SITE SPECIFIC DOCUMENTS FOR USE WITH THIS DOCUMENT.



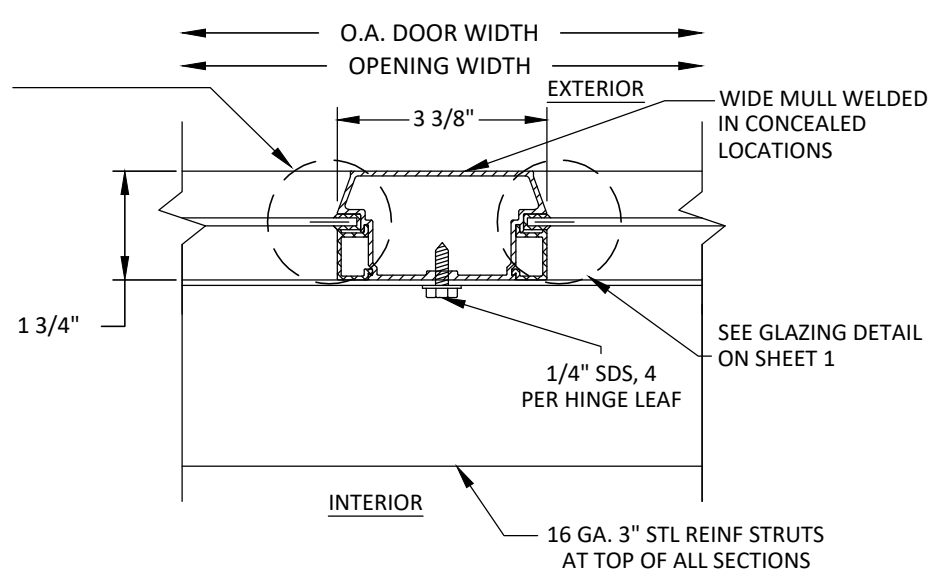
FL #:	FL32416
DATE:	05.29.20
DWG. BY:	LL
CHK. BY:	HFN
SCALE:	NTS
DWG. #:	ARL001
SHEET:	4

6/23/2023 9:15 AM
z:\projects\arm.r.lite\cc-23-0563 - fbc 2023 code change (8th edition)\dgs\var\001 custom max aluminum and glass overhead sectional door (2).dwg



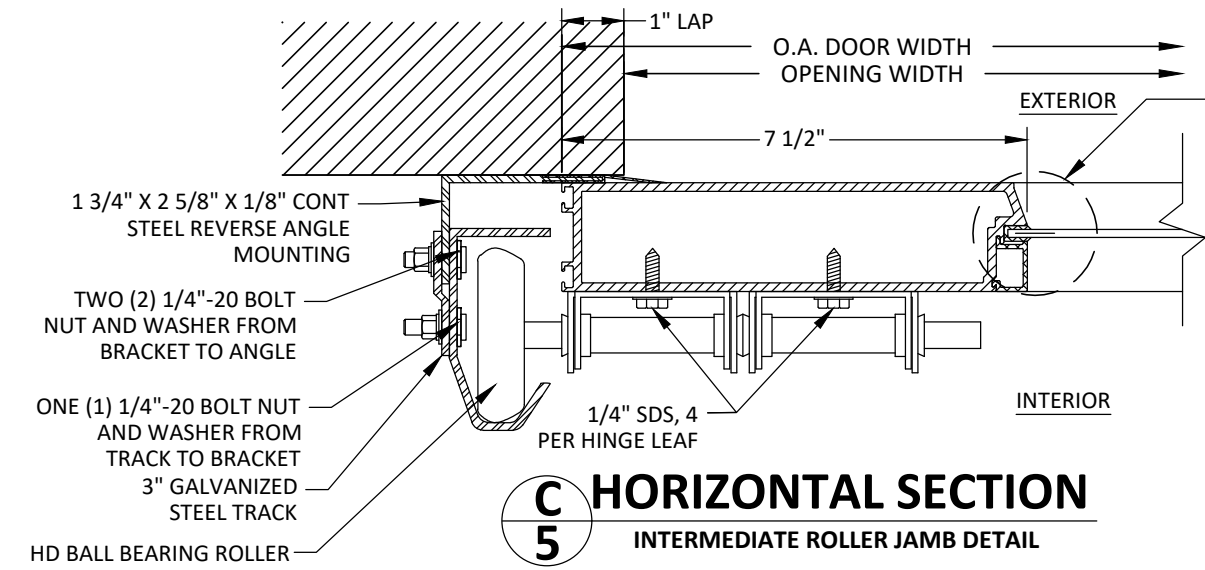
A HORIZONTAL SECTION
5 UPPER ROLLER JAMB DETAIL

SEE GLAZING DETAIL ON SHEET 1



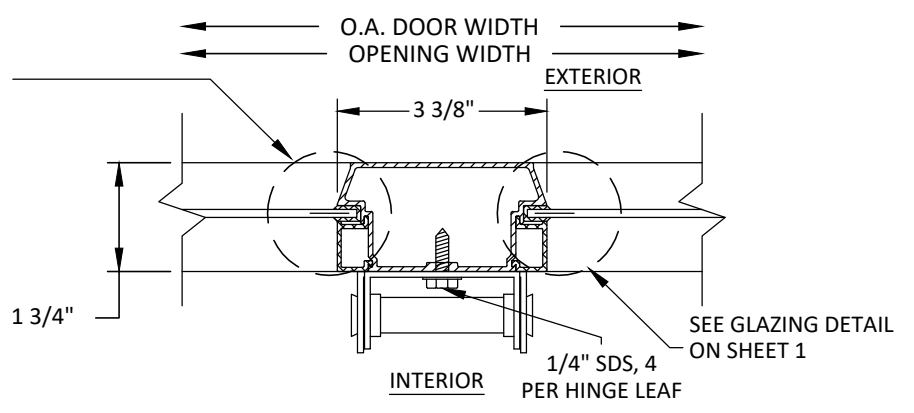
B HORIZONTAL SECTION
5 STILE DETAIL

SEE GLAZING DETAIL ON SHEET 1



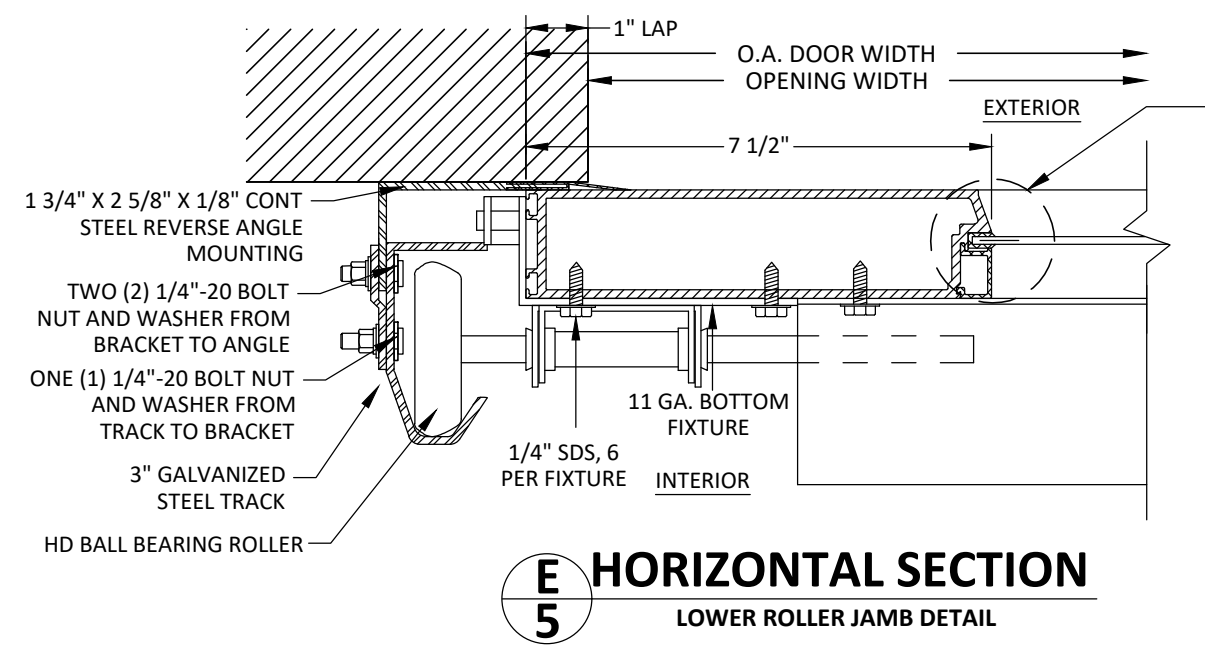
C HORIZONTAL SECTION
5 INTERMEDIATE ROLLER JAMB DETAIL

SEE GLAZING DETAIL ON SHEET 1



D HORIZONTAL SECTION
5 STILE DETAIL

SEE GLAZING DETAIL ON SHEET 1



E HORIZONTAL SECTION
5 LOWER ROLLER JAMB DETAIL

SEE GLAZING DETAIL ON SHEET 1

ArmRLite
OVERHEAD DOORS

ARMRLITE
40 COLONIAL DR.
PISCATAWAY, NJ 08854
PH: (908) 754-2600 FAX: (908) 754-6522

TITLE: CUSTOM MAX ALUMINUM AND GLASS OVERHEAD SECTIONAL DOOR (NON-HVHZ) (NON-IMPACT) HORIZONTAL SECTIONS

PREPARED BY: BUILDING DROPS, INC.
398 E. DANIA BEACH BLVD., STE. 338
DANIA BEACH, FL 33004
PH: (954) 399-8478
FAX: (954) 744-4738
WEB: www.buildingdrops.com

REMARKS	BY	DATE
2023 CODE CHANGE	MG	06/23

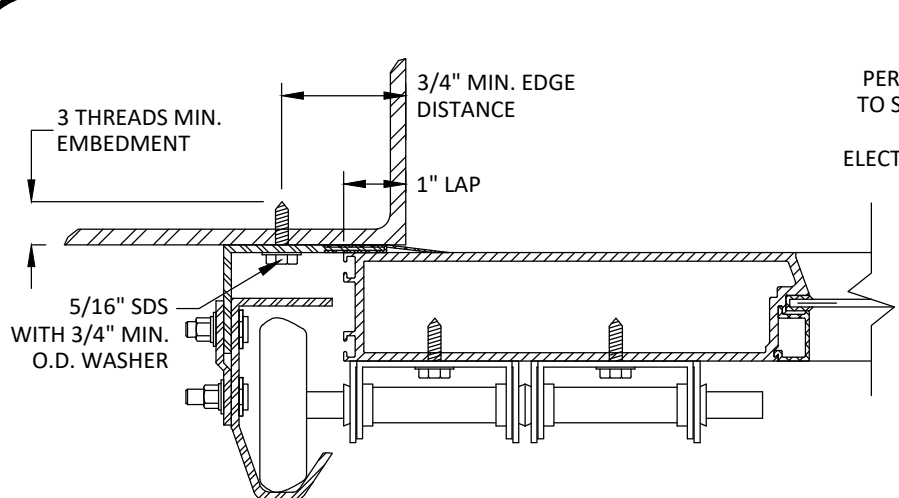
THE INSTALLATION DETAILS DESCRIBED HEREIN ARE GENERIC AND MAY NOT REFLECT ACTUAL CONDITIONS FOR A SPECIFIC SITE. IF SITE CONDITIONS CAUSE INSTALLATION TO DEVIATE FROM THE REQUIREMENTS DETAILED HEREIN, A LICENSED ENGINEER OR ARCHITECT SHALL PREPARE SITE SPECIFIC DOCUMENTS FOR USE WITH THIS DOCUMENT.

HERMES F. NORERO
LICENSE
No. 73778
STATE OF FLORIDA
PROFESSIONAL ENGINEER

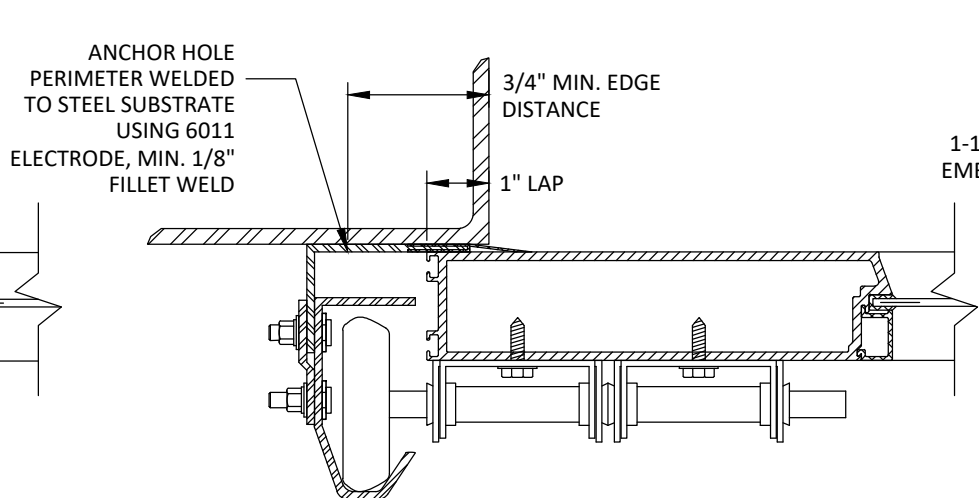
HERMES F. NORERO, R.
ENGINEER
BUILDING DROPS, INC.
398 E. DANIA BEACH BLVD. # 338
DANIA BEACH, FL 33004
FBPE CERT. OF AUTHORIZATION No. 29578

FL #:	FL32416	
DATE:	05.29.20	
DWG. BY:	LL	CHK. BY: HFN
SCALE:	NTS	
DWG. #:	ARL001	
SHEET:	5 OF 6	

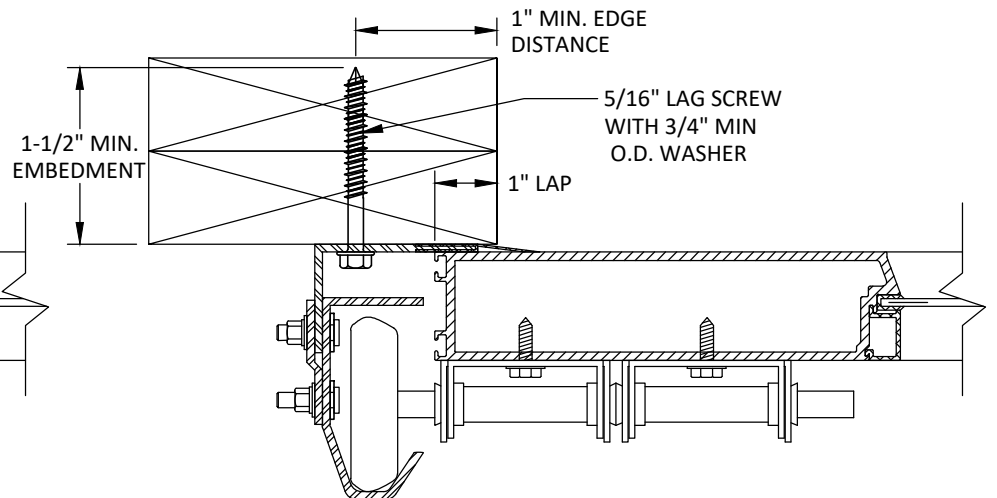
6/23/2023 9:15 AM
z:\projects\arm.r.lite\cc-23-0563 - fbc 2023 code change (8th edition)\dgs\var\001 custom max aluminum and glass overhead sectional door (2).dwg



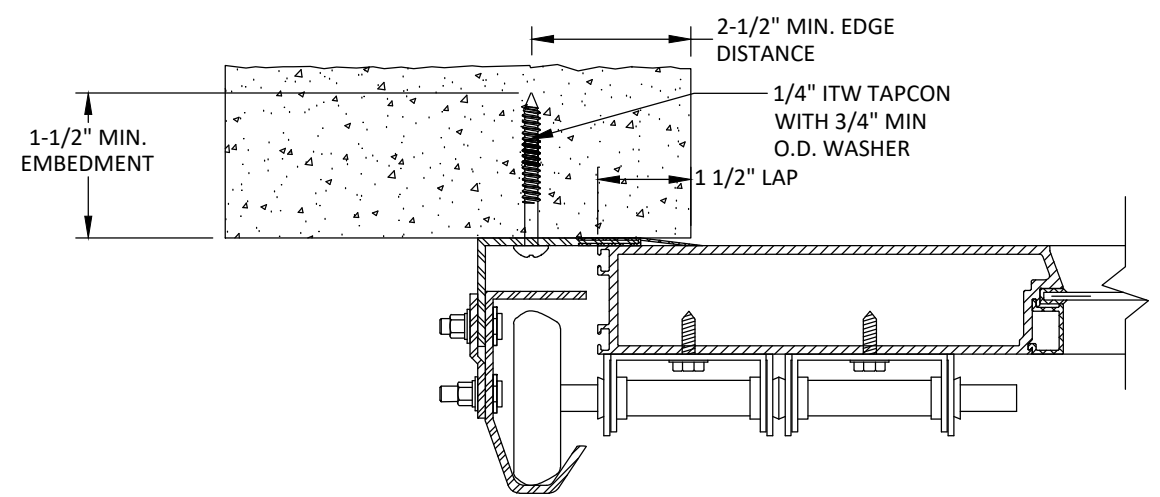
A
6 ANCHOR DETAIL
MOUNT TO STEEL



B
6 ANCHOR DETAIL
MOUNT TO STEEL - WELDED



C
6 ANCHOR DETAIL
MOUNT TO WOOD



D
6 ANCHOR DETAIL
MOUNT TO CONCRETE

INSTALLATION NOTES:

- ONE (1) INSTALLATION ANCHOR IS REQUIRED AT EACH ANCHOR LOCATION SHOWN, UNLESS OTHERWISE STATED.
- THE NUMBER OF INSTALLATION ANCHORS DEPICTED IS THE MINIMUM NUMBER OF ANCHORS TO BE USED FOR PRODUCT INSTALLATION.
- INSTALL INDIVIDUAL INSTALLATION ANCHORS WITHIN A TOLERANCE OF ±1/2 INCH OF THE DEPICTED LOCATION IN THE ANCHOR LAYOUT DETAIL (I.E., WITHOUT CONSIDERATION OF TOLERANCES). TOLERANCES ARE NOT CUMULATIVE FROM ONE INSTALLATION ANCHOR TO THE NEXT.
- MINIMUM EMBEDMENT AND EDGE DISTANCE EXCLUDE WALL FINISHES, INCLUDING BUT NOT LIMITED TO STUCCO, FOAM, BRICK VENEER, AND SIDING.
- INSTALLATION ANCHORS AND ASSOCIATED HARDWARE MUST BE MADE OF CORROSION RESISTANT MATERIAL OR HAVE A CORROSION RESISTANT COATING.
- FOR HOLLOW BLOCK AND GROUT FILLED BLOCK, DO NOT INSTALL INSTALLATION ANCHORS INTO MORTAR JOINTS. EDGE DISTANCE IS MEASURED FROM FREE EDGE OF BLOCK OR EDGE OF MORTAR JOINT INTO FACE SHELL OF BLOCK.
- INSTALLATION ANCHORS SHALL BE INSTALLED IN ACCORDANCE WITH ANCHOR MANUFACTURER'S INSTALLATION INSTRUCTIONS, AND ANCHORS SHALL NOT BE USED IN SUBSTRATES WITH STRENGTHS LESS THAN THE MINIMUM STRENGTH SPECIFIED BY THE ANCHOR MANUFACTURER.

ANCHOR TABLE

ANCHOR	SUBSTRATE	EMBEDMENT	EDGE DISTANCE
1/4" ITW TAPCON	3000 PSI CONCRETE	1-1/2"	2-1/2"
WELDED 1/8" FILLET WELD W/ 6011 ELECTRODE AT ANCHOR HOLE PERIMETER	1/4" THICK STEEL, MIN. FY = 33 KSI	N/A	3/4"
5/16" SELF-DRILLING SCREW	1/4" THICK STEEL, MIN. FY = 33 KSI	3 THREADS MIN. PENETRATION BEYOND METAL	3/4"
5/16" LAG SCREW	SG = 0.55 WOOD	1-1/2"	1"

- ALL ANCHOR TYPES LISTED ABOVE VALID FOR MIN. SPECIFIED SUBSTRATE OR GREATER
- ANCHOR OPTION MUST MEET MINIMUM EMBEDMENT, EDGE DISTANCE SPECIFIED

ArmRLite
OVERHEAD DOORS

ARMRLITE
40 COLONIAL DR.
PISCATAWAY, NJ 08854
PH: (908) 754-2600 FAX: (908) 754-6522

TITLE: CUSTOM MAX ALUMINUM AND GLASS OVERHEAD SECTIONAL DOOR (NON-HVHZ) (NON-IMPACT) INSTALLATION NOTES AND ANCHOR DETAILS AND SCHEDULE

PREPARED BY: **BUILDING DROPS, INC.**
398 E. DANIA BEACH BLVD., STE. 338
DANIA BEACH, FL 33004
PH: (954) 399-8478
FAX: (954) 744-4738
WEB: www.buildingdrops.com

REMARKS	BY	DATE
2023 CODE CHANGE	MG	06/23

THE INSTALLATION DETAILS DESCRIBED HEREIN ARE GENERIC AND MAY NOT REFLECT ACTUAL CONDITIONS FOR A SPECIFIC SITE. IF SITE CONDITIONS CAUSE INSTALLATION TO DEVIATE FROM THE REQUIREMENTS DETAILED HEREIN, A LICENSED ENGINEER OR ARCHITECT SHALL PREPARE SITE SPECIFIC DOCUMENTS FOR USE WITH THIS DOCUMENT.

HERMES F. NORERO
LICENSE
No. 73778
STATE OF FLORIDA
PROFESSIONAL ENGINEER

HERMES F. NORERO, R.
REGISTERED PROFESSIONAL ENGINEER
BUILDING DROPS, INC.
398 E. DANIA BEACH BLVD. # 338
DANIA BEACH, FL 33004
FBPE CERT. OF AUTHORIZATION No. 29578

FL #: **FL32416**

DATE: **05.29.20**

DWG. BY: **LL** CHK. BY: **HFN**

SCALE: **NTS**

DWG. #: **ARL001**

SHEET: **6** OF 6